

ROLL-A-CONE



**HYDRAULICALLY DRIVEN END CONES
LIFTS AND SEPARATES
TANGLED OUTSIDE ROWS**

ROLL-A-CONE MFG CO.

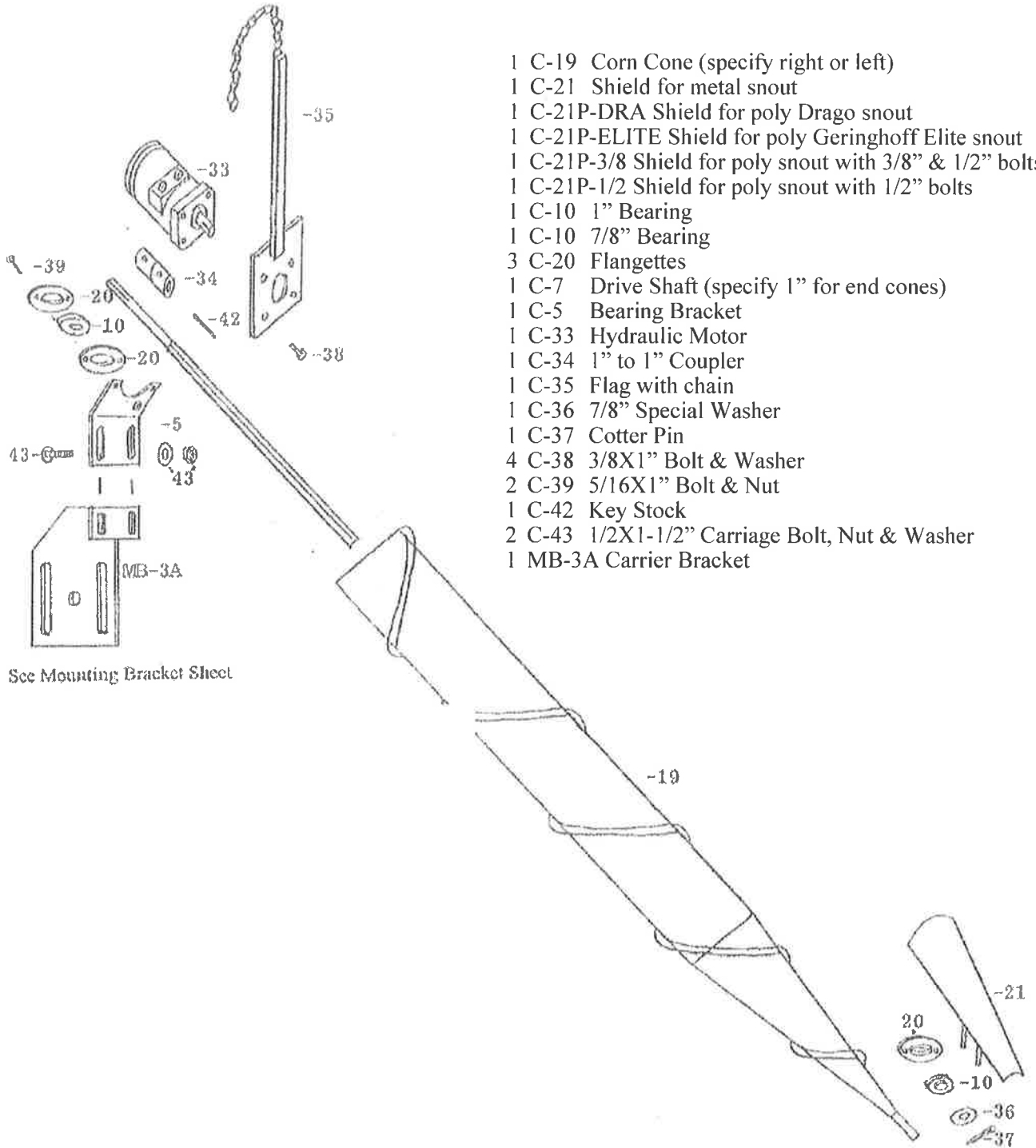
7655 ROLL-A-CONE RD. Tulia, Tx 79088 806-668-4722

ROLL-A-CONE MFG & DIST

7655 Roll-A-Cone Rd

Tulia TX 79088

Phone: 806-668-4722 Fax: 806-668-4725



ROLL-A-CONE MFG. & DIST. CO., INC

7655 Roll-A-Cone Rd

Tulia TX 79088

Phone: 806-668-4722

Fax: 806-668-4725

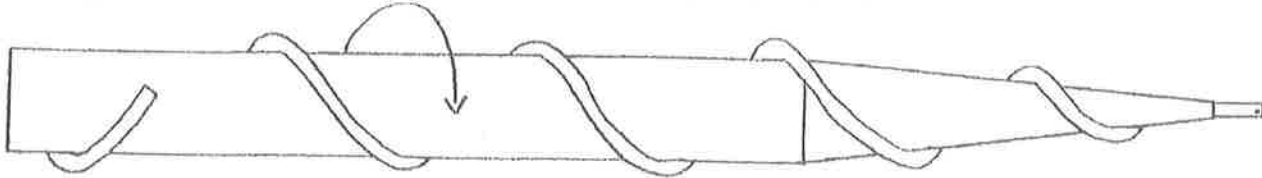
E-Mail: rollcone@roll-a-cone.com

Web Page: www.roll-a-cone.com

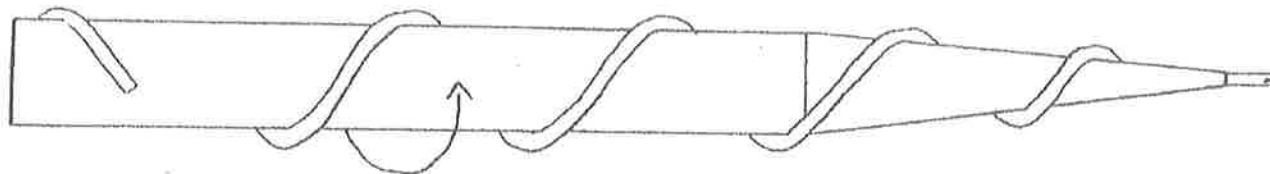
**Installation Instructions
For End Cones**

SITTING IN COMBINE SEAT:

Right Hand cone clockwise rotation. This cone is mounted on the left side of header



Left Hand cone counter clockwise rotation. This cone is mounted on right side of header.



LOWER CONE INSTALLATION:

1. Assemble the bearings (C-10) and flangettes (C-20) onto the shafts, which extend from the cones. The set collar side of the bearing goes on toward the upper (large) end of the cone. Tighten the set collar with a punch, and then tighten the allen screw. Install the 7/8" washer and put the cotter pin through the small hole in the end of the cone shaft. (See Figure #1)
2. Using the stud bolts, which extend down from the snout shield (C-21) as a template, mark your snout as indicated. (See Figure #2). Drill an oversize 1/2" or 3/8" hole, whichever applies to your application. Now you are ready to mount the snout shields onto each snout. Refer to the following pages for correct snout shield placement.
3. Remove the two 5/16" nuts on the studs inside the snout shield. Insert cone shaft with previously assembled bearing & flangette half into the other flangette half that is welded inside the cone snout shield. Secure flangette halves together with two 5/16" nuts.

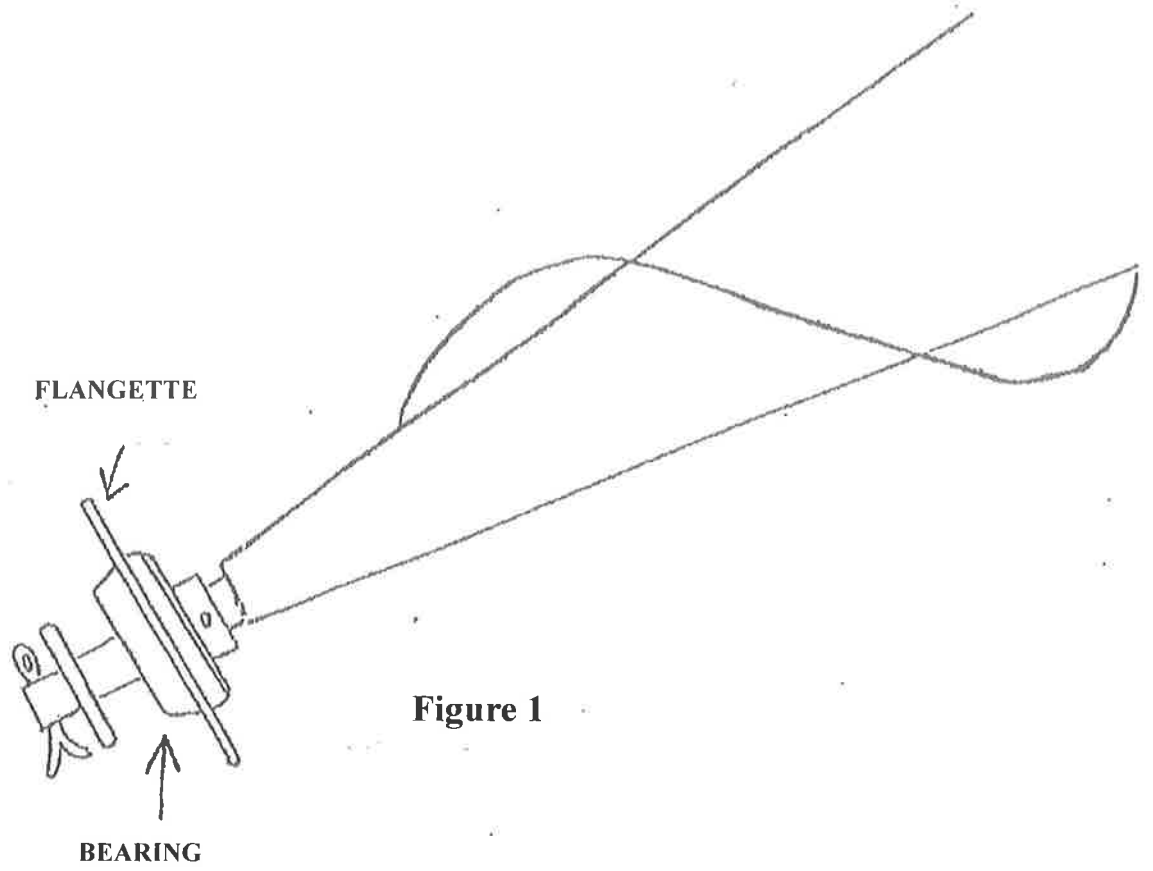


Figure 1

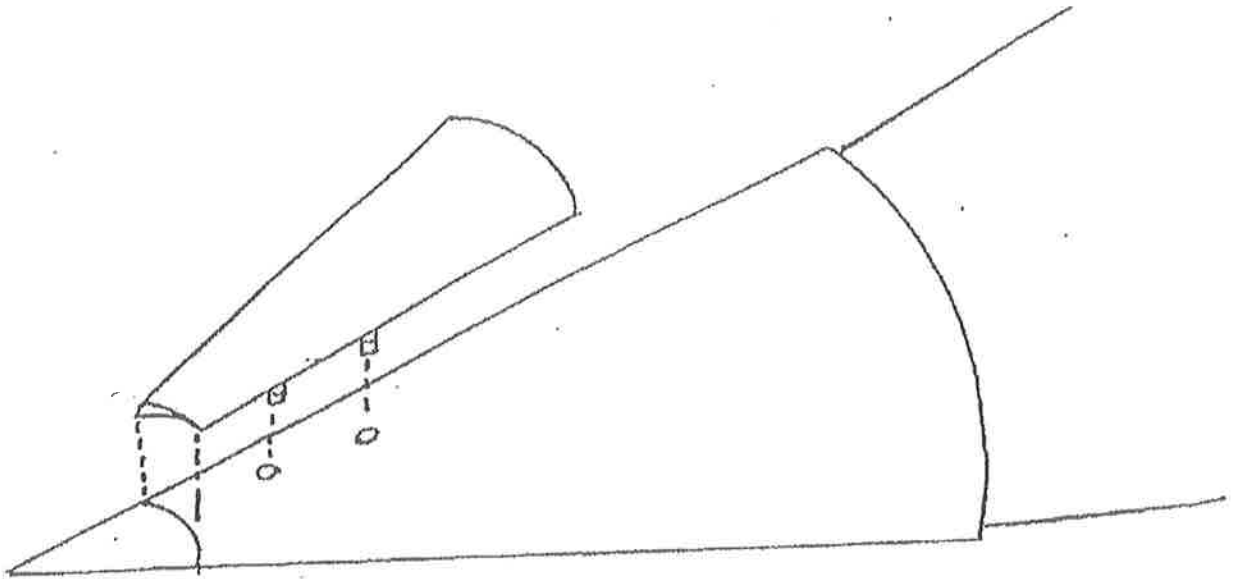
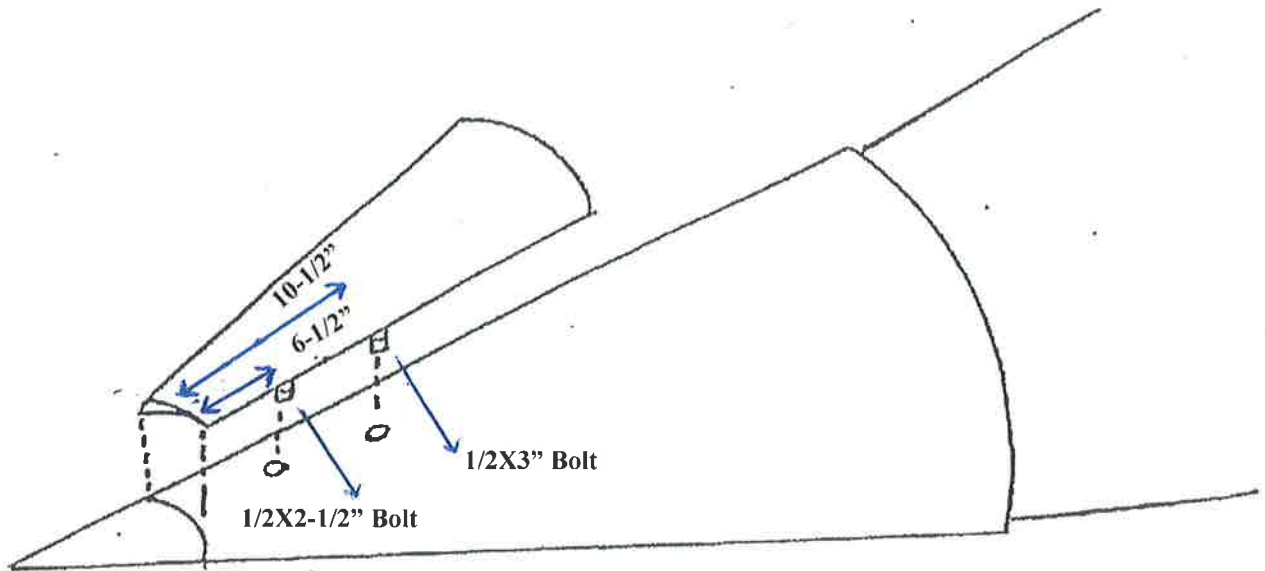


Figure 2

METAL SNOOT

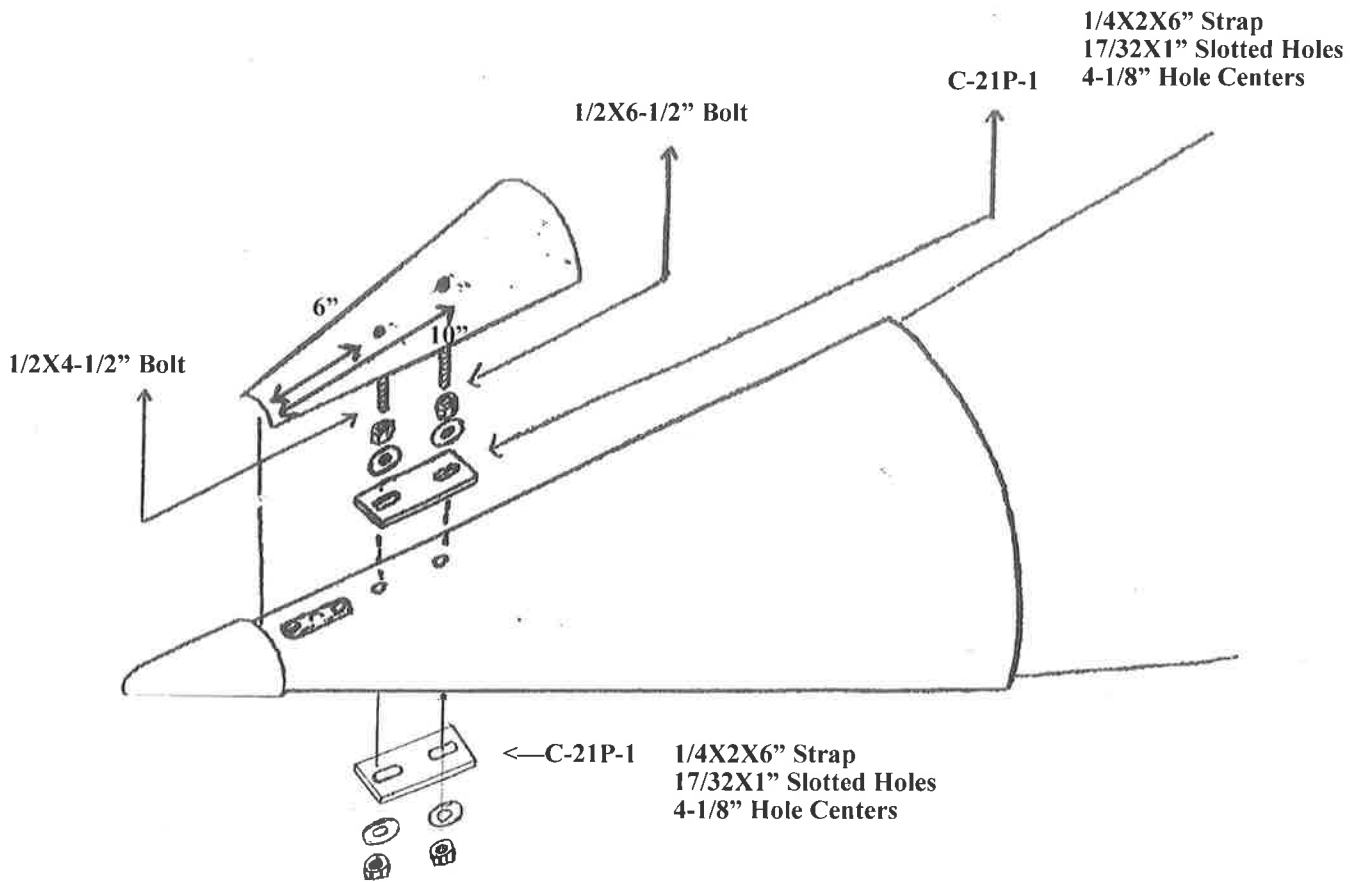
There are 2 nuts and washers on each of the snout shield bolts. The top nuts and washers go on top of the snout. These are used to adjust the snout shield height. The bottom nuts and washers go under the snout to clamp on the snout shield.



POLY SNOOTS—1/2" BOLTS WITH 4" BOLT CENTERS

There are 2 nuts and washers on each of the snout shield bolts. The top nuts and washers go on top of the snout. These are used to adjust the snout shield height. The bottom nuts and washers go under the snout to clamp on the snout shield.

Install flat straps (C-21P-1) as shown.

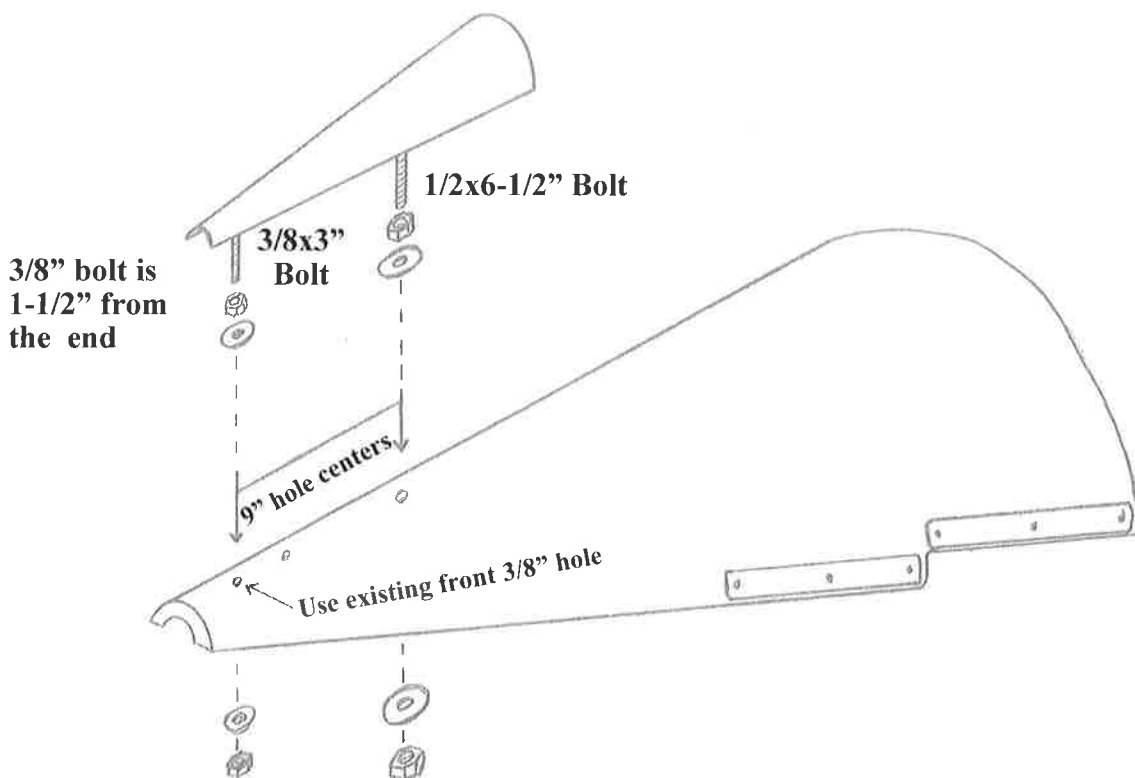


POLY SNOOTS—3/8" BOLT WITH 9" BOLT CENTERS

Mount snout shields as shown. The sensor Assembly will need to be removed in order to fasten the 1/2" washer & nut onto the rear bolt of the snout shield underneath. After installation reinstall the sensor Assembly.

There are 2 nuts and washers on each of the snout shield bolts. The top nuts and washers go on top of the snout. These are used to adjust the snout shield height. The bottom nuts and washers go under the snout to clamp on the snout shield.

Note: If plastic wear protector is used please remove in order to remove front 3/8 bolt then reinstall and drill wear protector inline with existing hole.

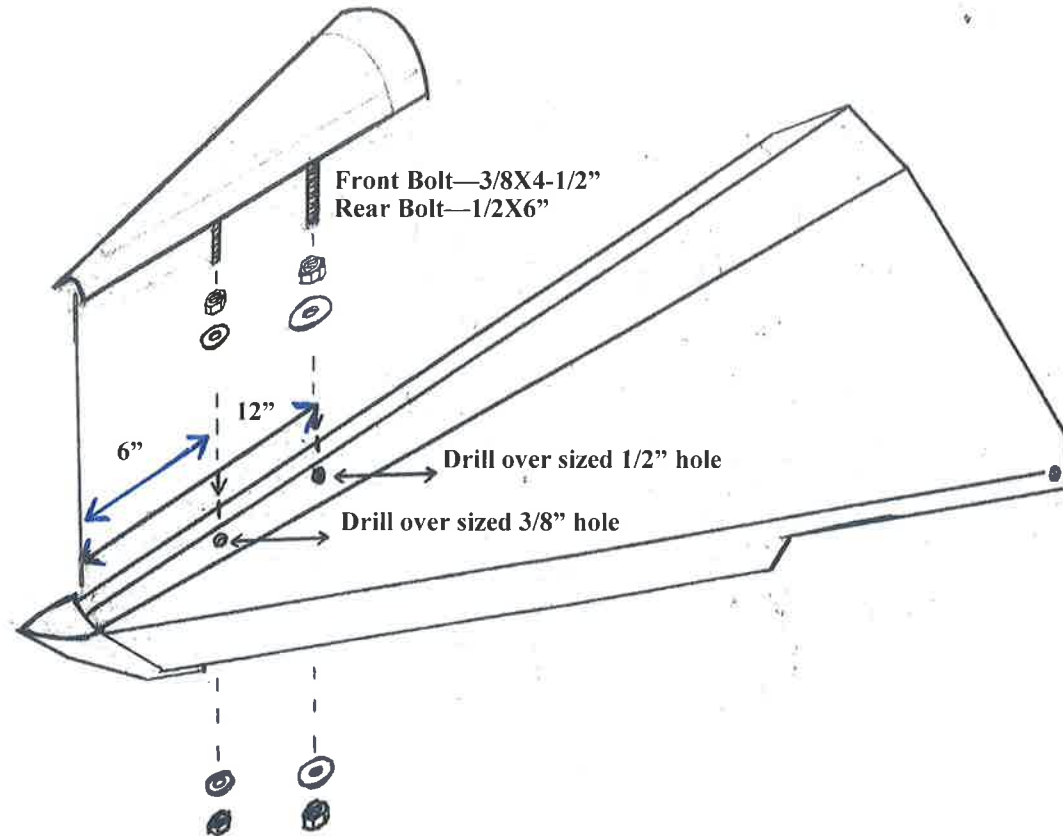


DRAGO SNOOTS

Mount snout shield as shown below. Remove 4 bolts that fasten sensor assembly onto the bottom of the snout. Remove sensor assembly from snout, remove and discard front bolt and nut from sensor assembly. Drill holes in snout as shown. Mount nose shield using 1/2" nut and washer provided

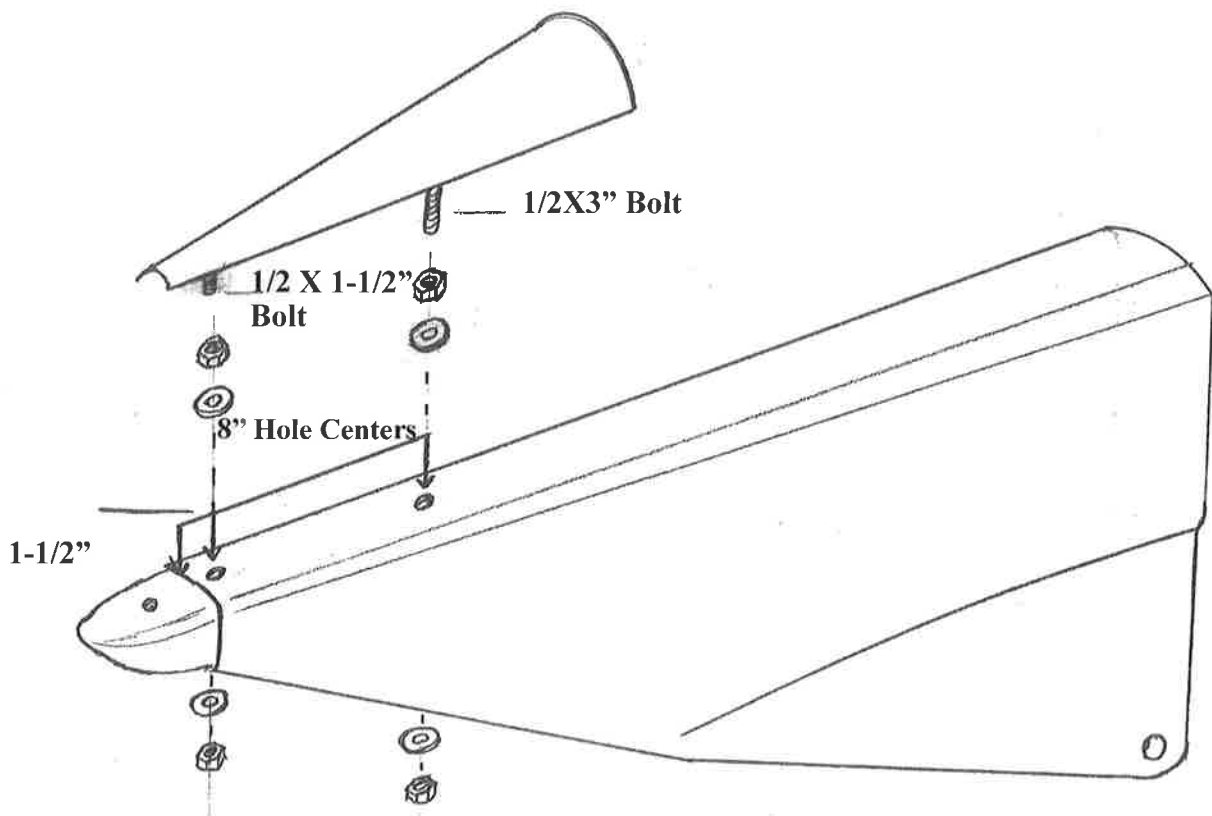
There are 2 nuts and washers on each of the snout shield bolts. The top nuts and Washers go on top of the snout. These are used to adjust the snout shield height. The bottom nuts and washers go under snout to clamp on snout shield.

At this time, install and tighten back nut and washer only. Reinstall sensor assembly under snout. The front bolt on snout shield should go through hole in sensor assembly. Install and tighten front nut and washer on nose shield.



GERINGHOFF ELITE SERIES SNOUTS

Remove plastic point on bottom of snout. Measure back from plastic point 1-1/2" and 9-1/2" (see diagram). Drill with a long drill bit all the way through snout. Drill the holes on the top of the snout 1/2" and the holes on the bottom of the snout 2". Install shield with nut and washer on bottom of snout through the 2" hole. Replace the plastic point.



ROLL-A-CONE MFG. & DIST. CO., INC
7655 Roll-A-Cone Rd
Tulia TX 79088
Phone: 806-668-4722
Fax: 806-668-4725
E-Mail: rollcone@roll-a-cone.com
Web Page: www.roll-a-cone.com

**Installation Instructions
For End Cones**

UPPER CONE INSTALLATION

1. Assemble the bearings (C-10) and flangettes (C-20) onto drive shaft (C-7). These are 1" bearings. Slide bearings on as far as possible. Tighten locking collars on bearing. Fasten flangettes onto bearing bracket (C-5) with 5/16x1" carriage bolts. Refer to Figure 3.
2. Mounting brackets are very flexible for ease of obtaining proper drive shaft clearance and cone height. Refer to following pages for correct mounting bracket placement.
3. The cones should be positioned at an angle so the back of the cone is close to the center of the row of corn. Cones are mounted on angle so when cones are separating tangled corn stalks, corn ears that break off will fall inside header.
4. Brackets (MB-7) may be turned to the front or back to achieve proper cone drive shaft travel. Approximately 8-12" of square drive shaft should be exposed.
5. Adjusting height of cones—rear cone height adjustment is determined by severity of downed corn. Generally, if corn is not down too bad, cones should be run as low as possible. Cones can run as low as possible as long as they don't rub on snouts. In more severe downed corn conditions, rear of cones should be raised to stand cones up to make dividing action more aggressive. This will help divide tangled stalks but may slow down your travel speed.

NOTE: Mounting brackets may seem loose when mounted on header, but weight of cone assembly will stabilize mounting brackets.

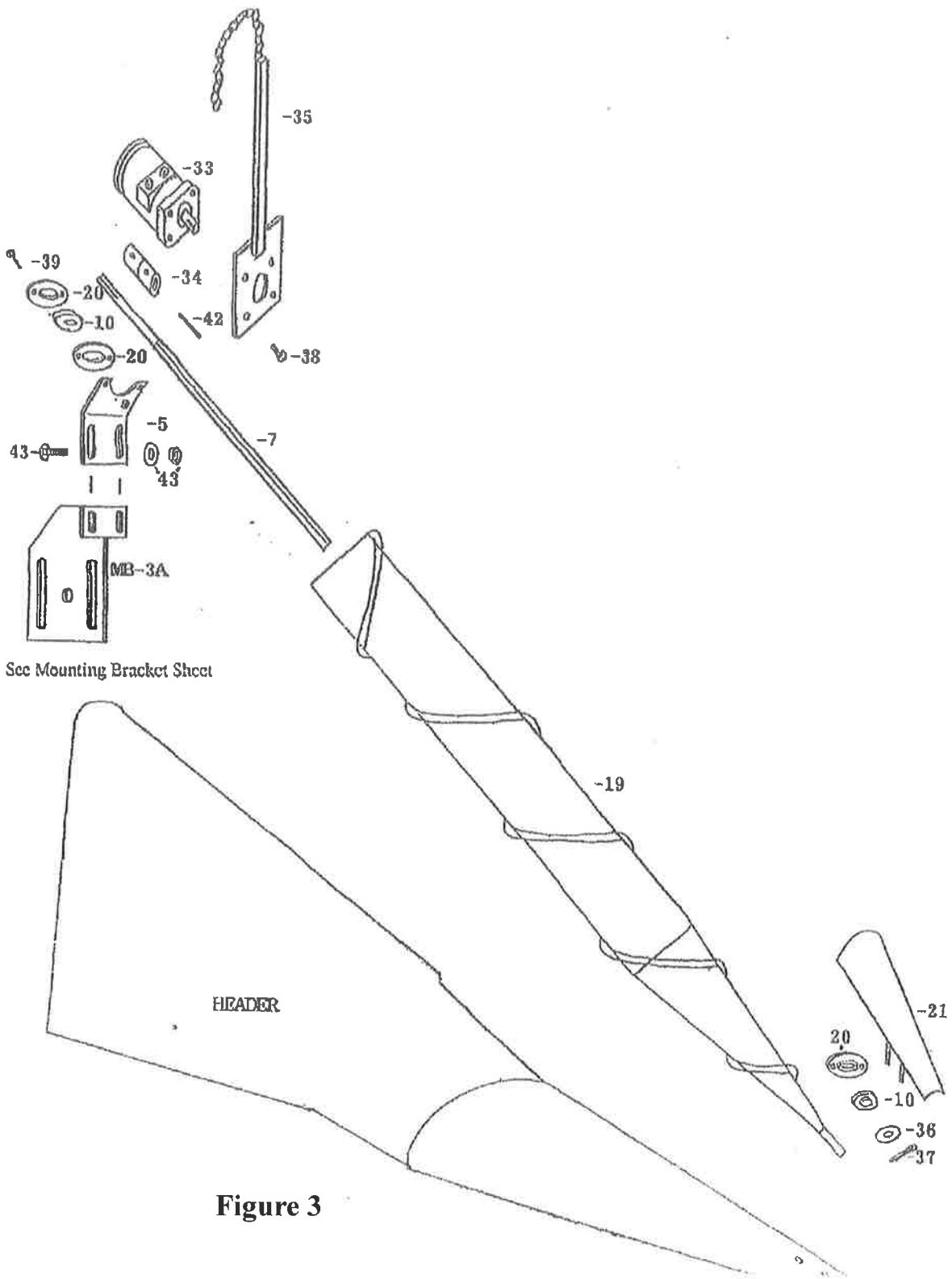
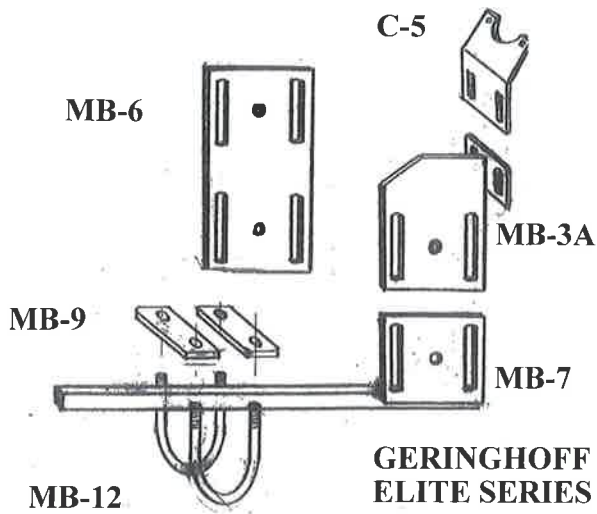


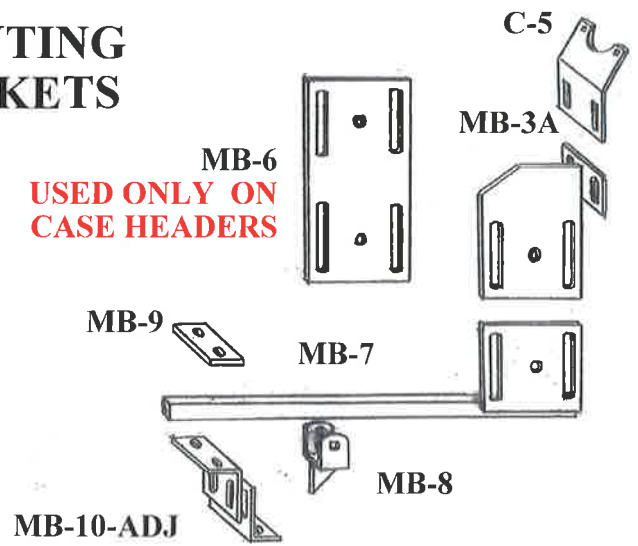
Figure 3

MOUNTING BRACKETS

Page 1 of 2



**GERINGHOFF
ELITE SERIES**



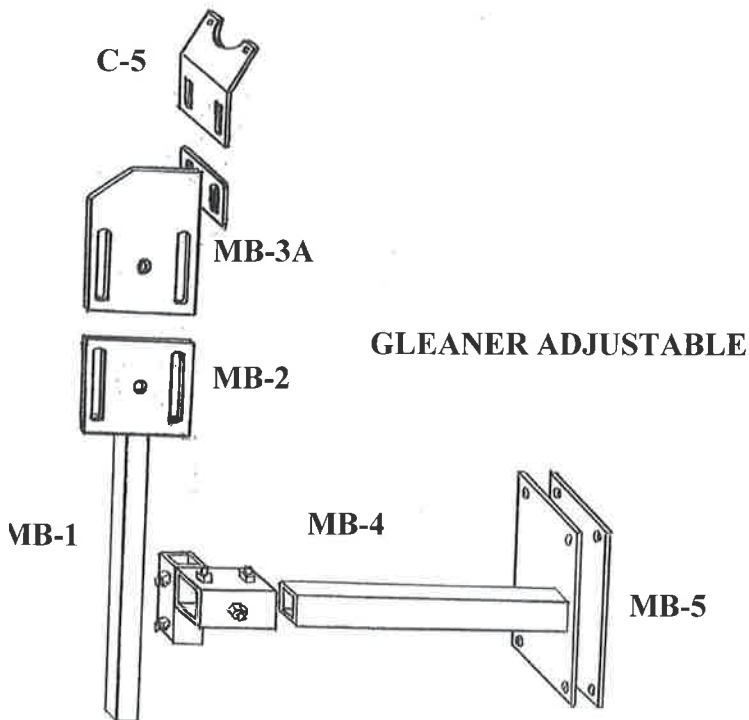
**USED ONLY ON
CASE HEADERS**

UNIVERSAL

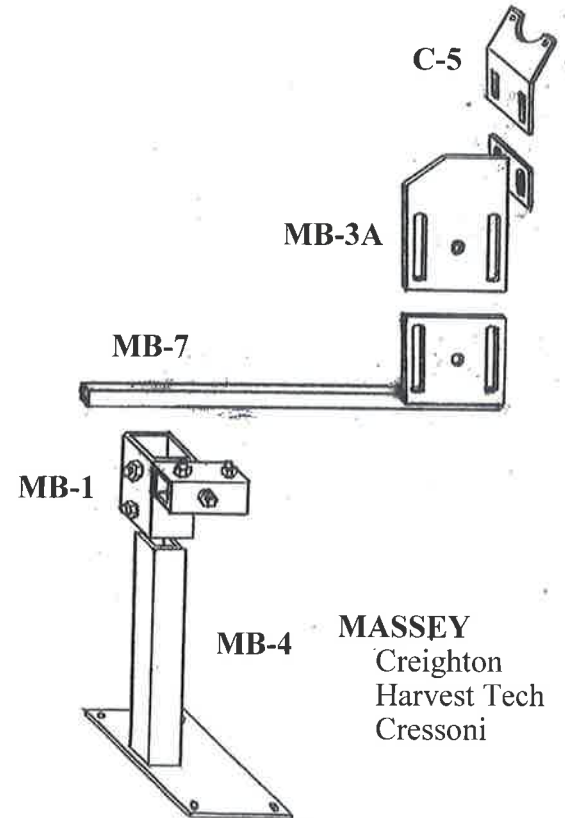
John Deere (including Clark)
Case IHC
New Holland
Caterpillar (including Lexion,
Claas)
Drago
Ford
New Idea
White

MOUNTING BRACKET PARTS

- MB-1 Cross Piece
- MB-2 Straight Ext. Arm
- MB-3 Bar Clamp
- C-5 Bearing Bracket
- MB-3A Carrier Bracket
- MB-4 Base
- MB-5 Back Up Plate
- MB-6 Extension
- MB-7 90 Ext. Arm
- MB-8 Stop Clamp
- MB-9 Strap
- MB-10-ADJ Adjustable Z Clamp
- MB-11 2" Elbow for Hugger
- MB-12 5/8" U-Bolt for Geringhoff



GLEANER ADJUSTABLE



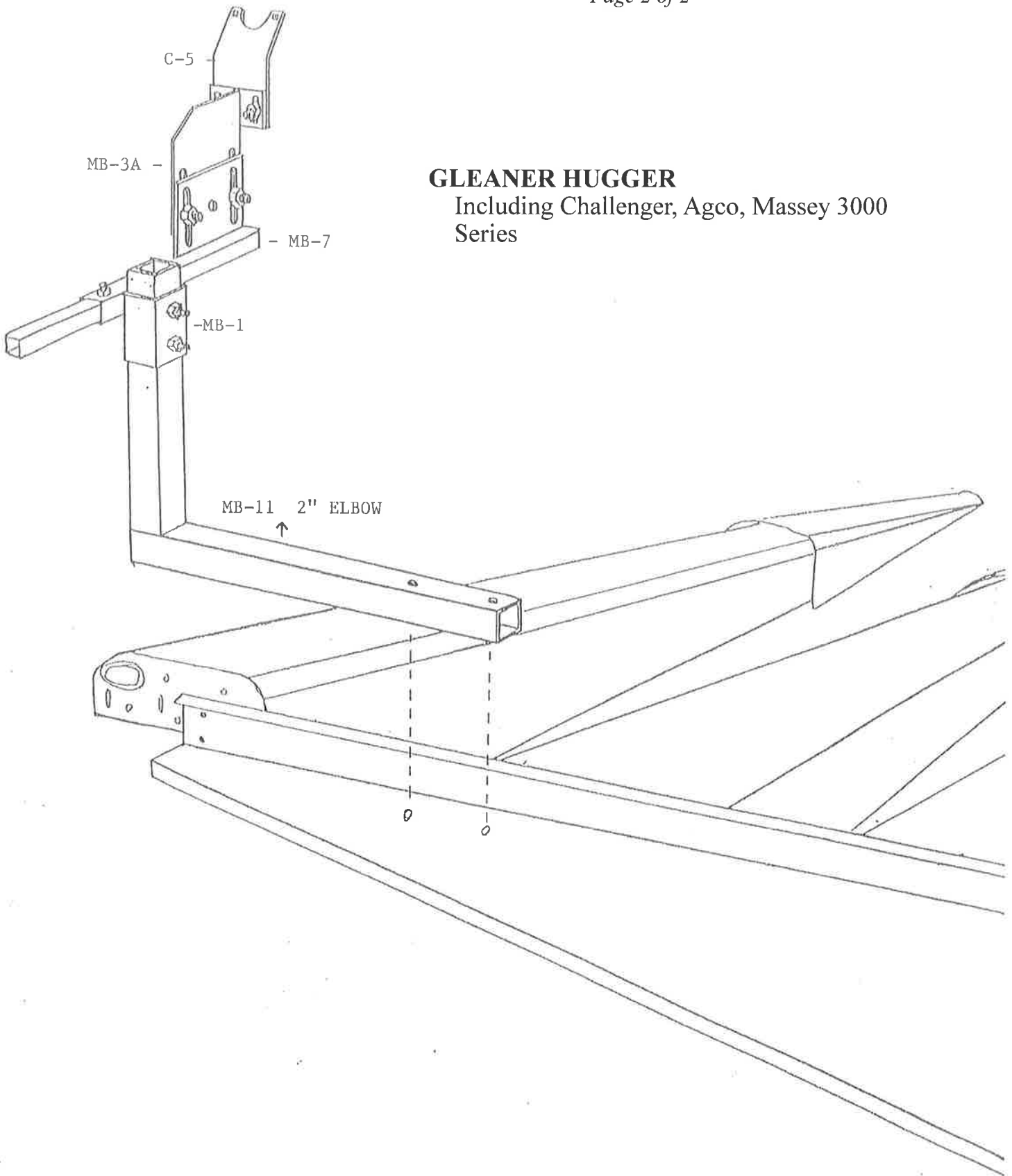
MASSEY
Creighton
Harvest Tech
Cressoni

MOUNTING BRACKETS

Page 2 of 2

GLEANER HUGGER

Including Challenger, Agco, Massey 3000 Series

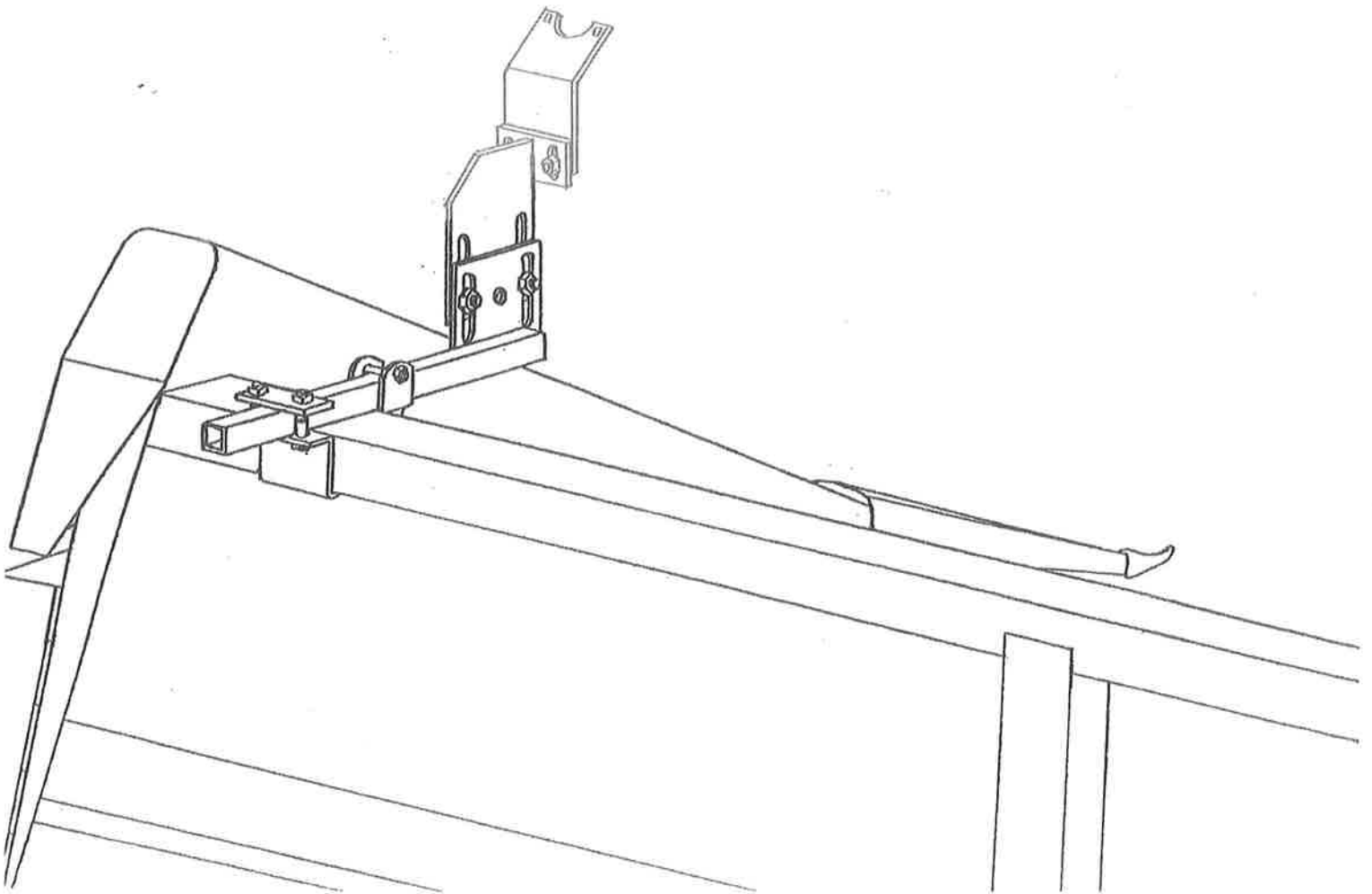


MOUNTING BRACKET INSTALLATION

**JOHN DEERE, CATERPILLAR, LEXION, CLAAS, NEW HOLLAND
DRAGO, NEW IDEA, FORD, CLARK, & WHITE**

**THESE HEADERS USE THE UNIVERSAL MOUNTING BRACKET
SHOWN ON PAGE 12**

Mount this bracket as illustrated. The 90 degree extension arm may be pointed to front or back, whichever is necessary to achieve best rear cone positioning. (See Upper Cone installation on page 10)



MOUNTING BRACKET INSTALLATION

CASE IH

Most Case IH headers have boxed beams across the back of the header to which the brackets for corn cones can be mounted. (Figure A)

Mount this bracket as illustrated. The 90 degree extension arm may be pointed to front or back, whichever is necessary to achieve best rear cone positioning. (See Upper Cone installation on Page 10)

Most Case IH headers are low profile headers. Extension MB-6 is supplied when it is necessary to raise back end of cones to achieve proper rear cone height.

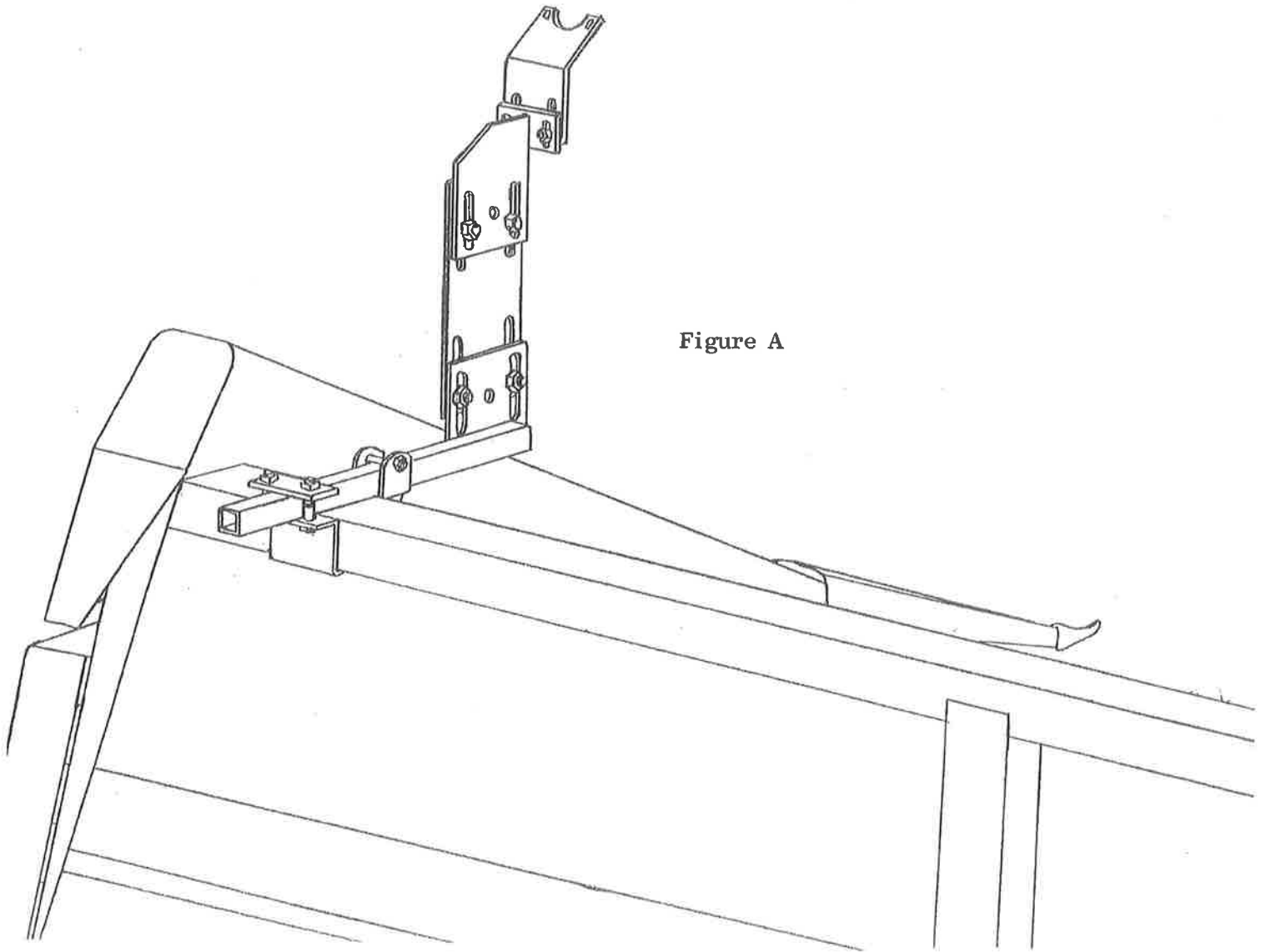


Figure A

MOUNTING BRACKET INSTALLATION

MASSEY

Most Masseys have a flat surface on the top towards the back of the header to which the brackets for the corn cones can be mounted. (Figure A)

Drill top plate on header and attach base at mounting bracket as shown with supplied bolts.

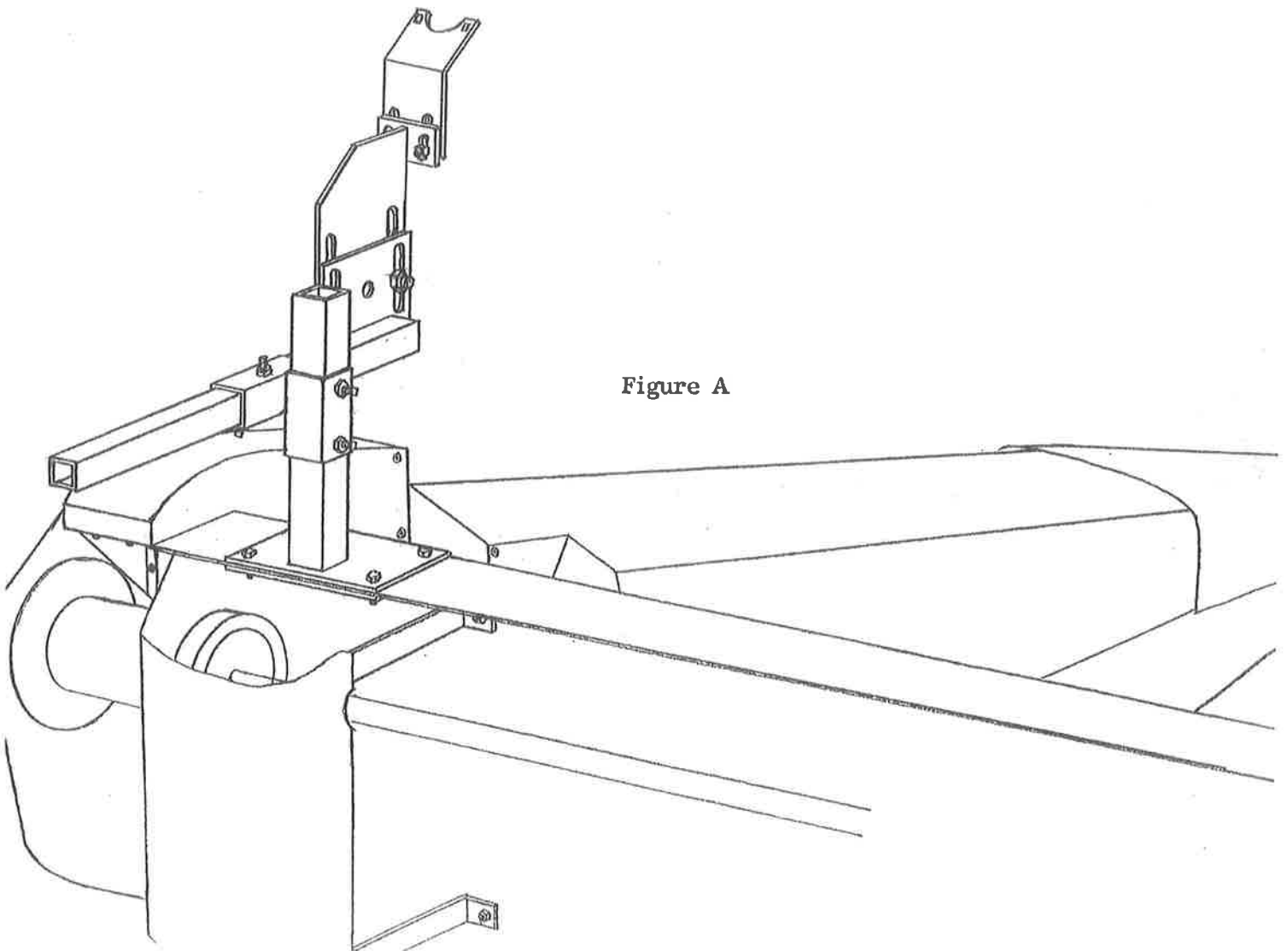


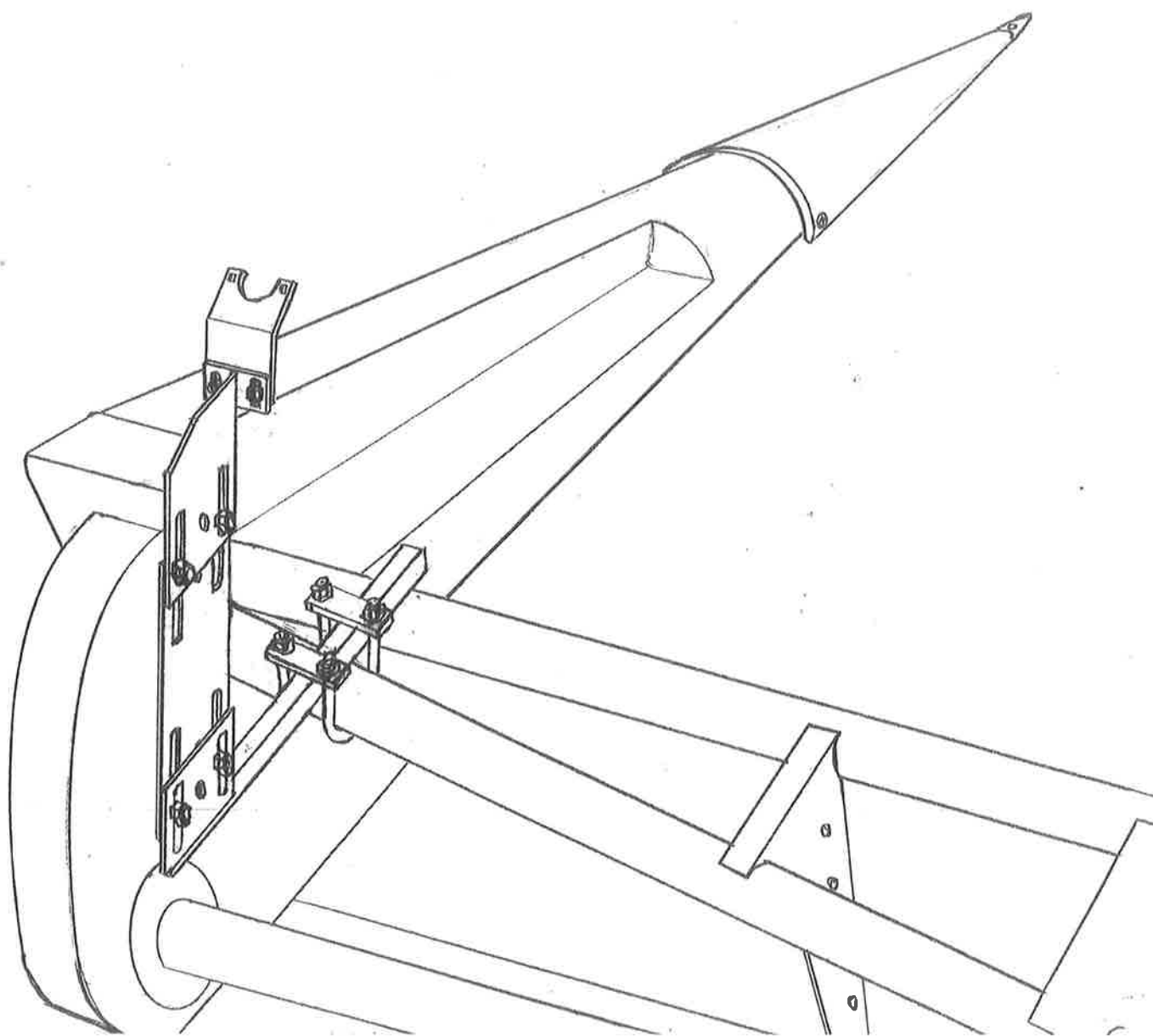
Figure A

MOUNTING BRACKET INSTALLATION

GERINGHOFF

Most **Elite** headers have a 3.16x2.4" oblong tubing angled across the upper back of header. (See below)

Some headers (Northstar) have a 3" square tube across the upper back. Refer to the Case IH Mounting Bracket page (Page 15) for these types of headers.

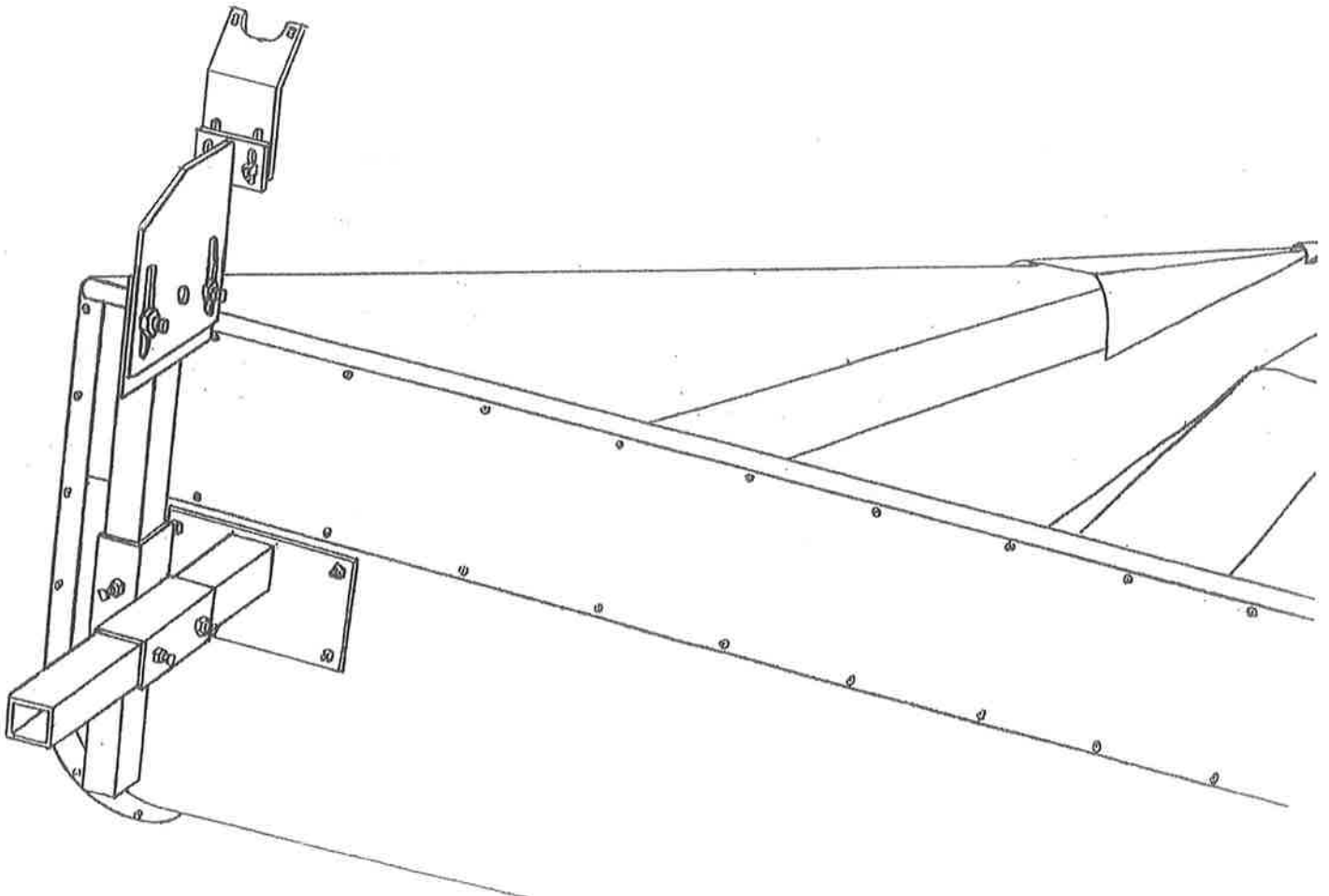


MOUNTING BRACKET INSTALLATION

GLEANER

Most Gleaners have a flat surface on the back of the header to which the brackets for the corn cones can be mounted.

This surface is only a thin metal surface. A matching mounting bracket is supplied to go inside of header for added support (See Page 12)



SCHEMATIC FOR END CONES ONLY

DRIVING END CONES

1. Fasten bracket C-35 onto hydraulic motor with 3/8" bolts supplied.
2. Slip 1" coupler onto hydraulic motor shaft and tighten set screw on motor shaft.
3. Slip motor, bracket and coupler onto C-7 cone shaft and tighten set screw.
4. Fasten chain on motor bracket to any stationary object available to keep motor from spinning.
5. Run hydraulic hoses. (See following pages)

NOTE: Most motors have 1/2" NPT ports, but some have #10 Boss O-ring ports, depending on motor availability.

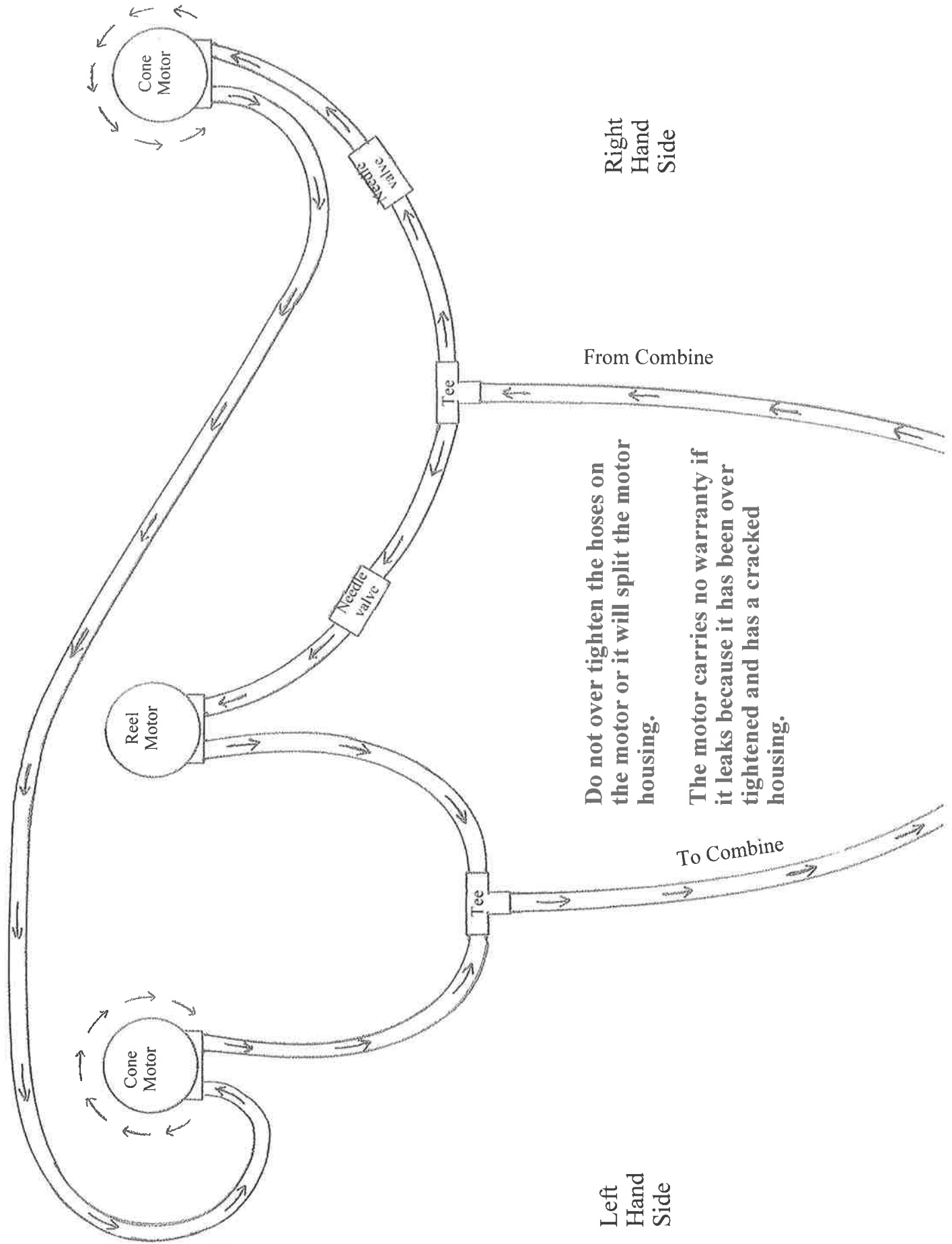
The part number for the motor with 1/2" pipe threads is 101-1004-009

The part number for the motor with #10 boss o-ring threads is 101-1012-009



**CAUTION!!
DO NOT OVER TIGHTEN
HOSES ON MOTORS.
MOTOR HOUSINGS
COULD CRACK. THIS
WILL VOID WARRANTY!!**

Roll-A-Cone MFG.
Schematic for running cones with reel.



Right
Hand
Side

From Combine

Do not over tighten the hoses on the motor or it will split the motor housing.

The motor carries no warranty if it leaks because it has been over tightened and has a cracked housing.

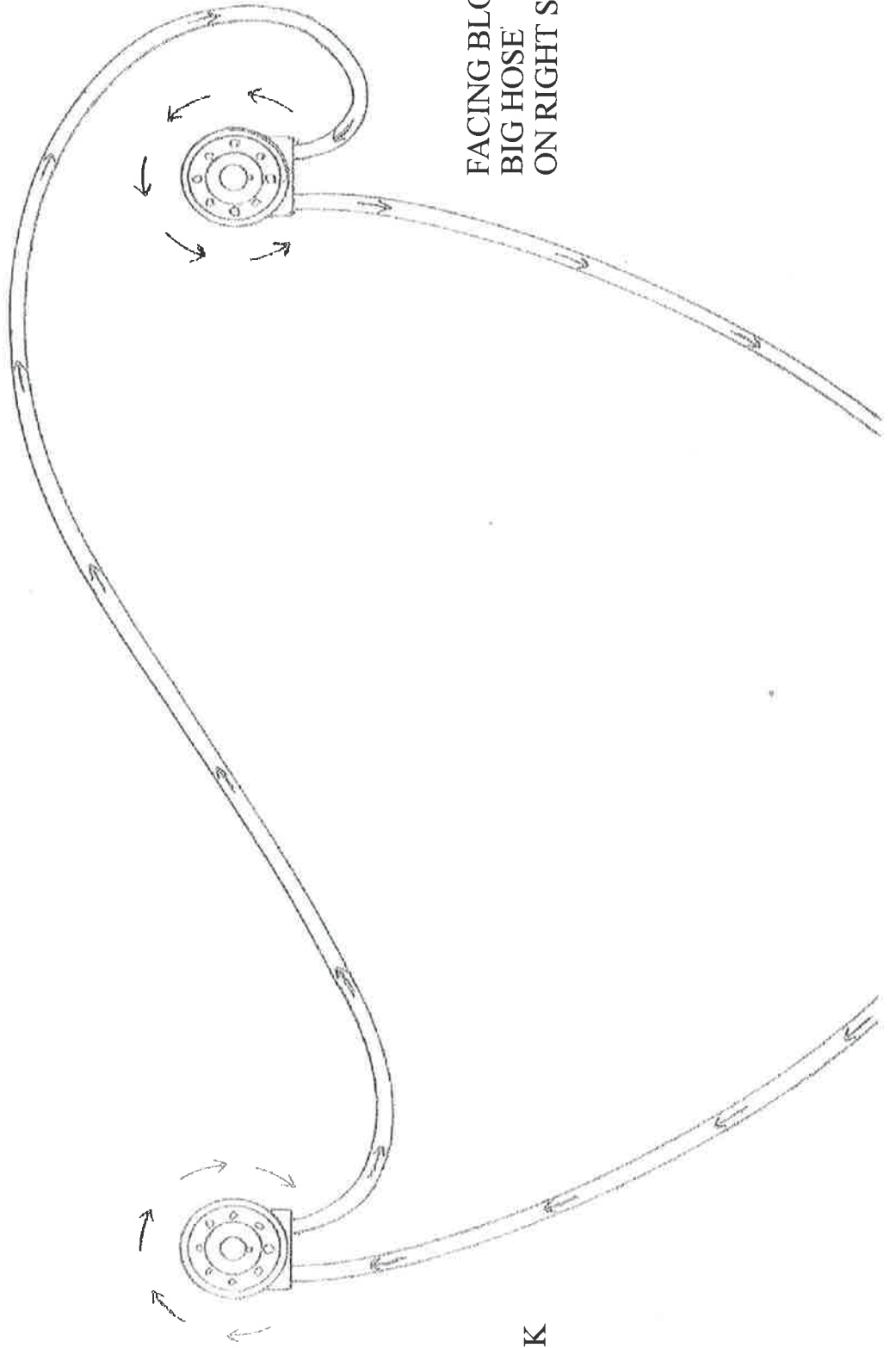
To Combine

Left
Hand
Side

SCHEMATIC FOR SINGLE POINT HOOKUP CASE IH

Do not over tighten the hoses on the motor or it will split the motor housing.

The motor carries no warranty if it leaks because it has been over tightened and has a cracked housing.



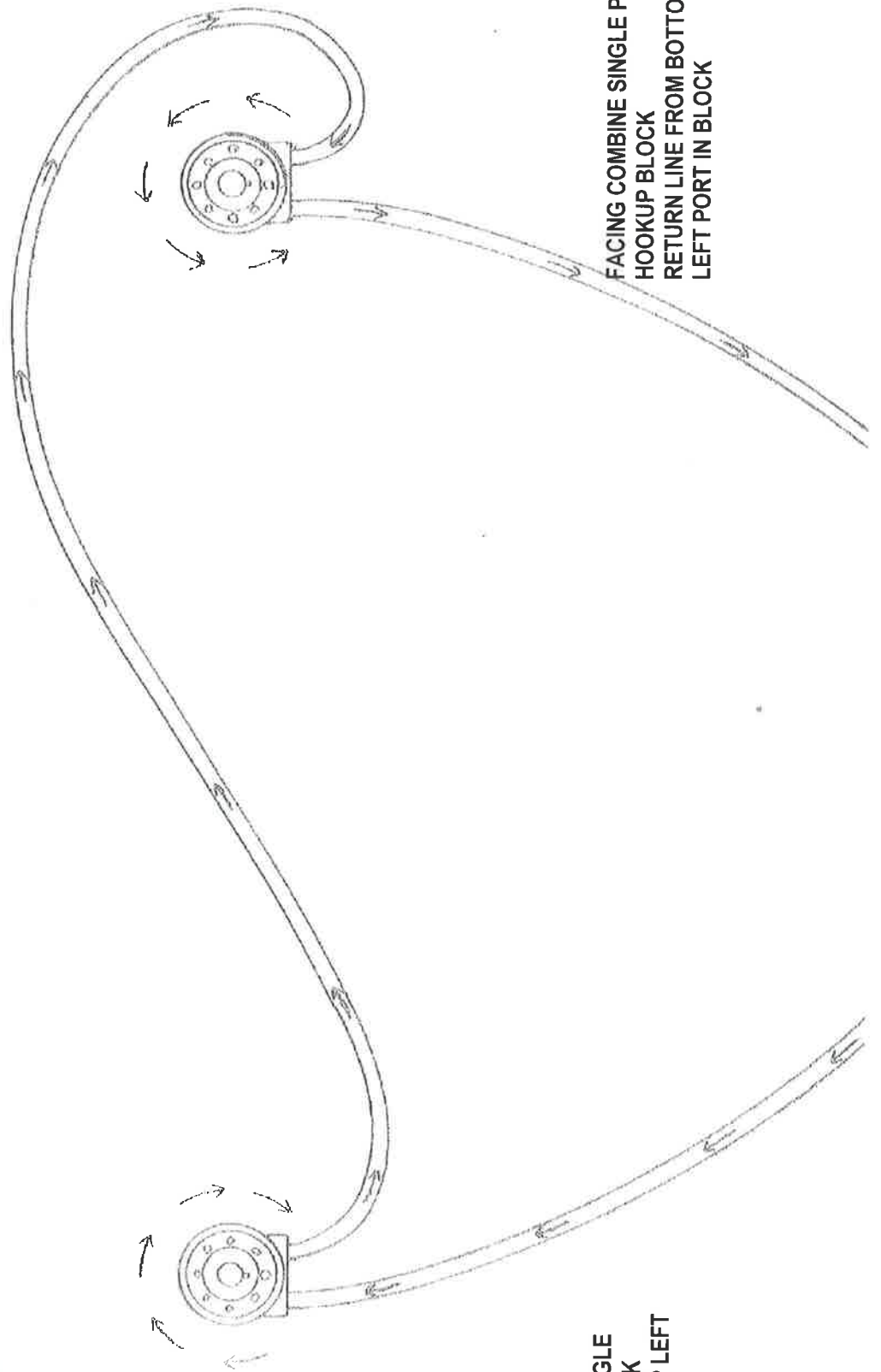
FACING BLOCK
BIG HOSE
ON RIGHT SIDE

FACING BLOCK
BIG HOSE
ON LEFT SIDE

SCHEMATIC FOR SINGLE POINT HOOKUP JOHN DEERE COMBINES

Do not over tighten the hoses on the motor or it will split the motor housing.

The motor carries no warranty if it leaks because it has been over tightened and has a cracked housing.



FACING COMBINE SINGLE
POINT HOOKUP BLOCK
PRESSURE FROM TOP LEFT
PORT IN BLOCK

FACING COMBINE SINGLE POINT
HOOKUP BLOCK
RETURN LINE FROM BOTTOM
LEFT PORT IN BLOCK